

AirFLOOR-V1

Floor LED Display with Immerse Experience

Wide Viewing Angle

IP 65 Waterproof

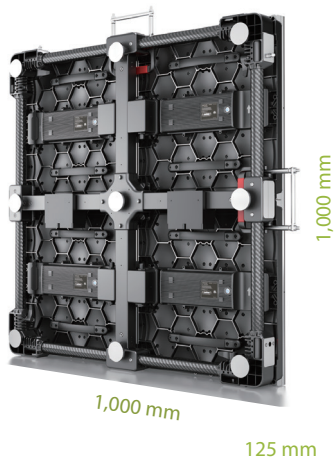
Cooling Function With Great Performance

Height Adjustable For Uneven Floor



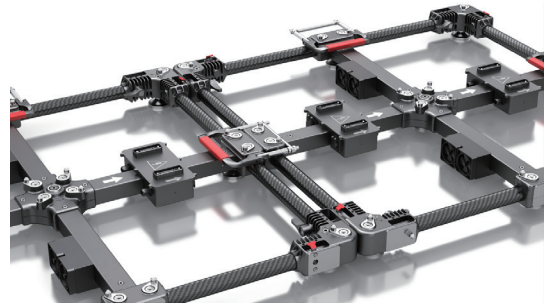
Super Lightweight

- › Light cabinet weight with 7.5 kg per cabinet, weight 46 kg per m² with floor structure; Advanced slim design with 125mm thickness.
- › Carbon fiber structure and die casting aluminum bring significantly weight reducing impressive strength.



Quick Setup and Convenient Service

- › Power and signal cables connection were floor structure unit based, bring fast installation and servicing of cabinet.



Ebony Technology

- › Surface process ebony tech provide great protection of LED from humidity, scratch etc. Glossy finish and matte finish fulfill different of applications such as xR stages, TV broadcasting, exhibition etc.
- › Optional artificial Intelligence interaction.

Sturdy and Waterproof

- › Outdoor Ingress Protection standard with IP65 front and Rear. Sturdy process that can bear a load of 2500kg/ m².



AirFLOOR-V1

AirFLOOR-V1 / Specifications

	AirFLOOR-V1 1.2	AirFLOOR-V1 1.6	AirFLOOR-V1 2.6
Physical Pitch	1.25 mm	1.6 mm	2.6 mm
Pixel Configuration	SMD	SMD	SMD
Pixel Density	640,000 pixels/m ² 160,000 pixels/panel	360,000 pixels/m ² 90,000 pixels/panel	147,456 pixels/m ² 36,864 pixels/panel
LED Module Dimensions (mm)	250 × 250	250 × 250	250 × 250
Panel Dimensions (W × H × D) (mm)	500 × 500 × 73.5	500 × 500 × 73.5	500 × 500 × 73.5
Panel Dimensions (bracket included) (mm)	1,000 × 1,000 × 125	1,000 × 1,000 × 125	1,000 × 1,000 × 125
No. of Modules Per Panel (W × H)	2×2	2×2	2×2
Physical Resolution of Module (W × H)	200 × 200	150 × 150	96 × 96
Physical Resolution of Panel (W × H)	400 × 400	300 × 300	192 × 192
Weight Per Panel	7.5 kg/panel	7.5 kg/panel	7.5 kg/panel
Weight Per m ² (bracket included)	47.2 kg/m ² *	47.2 kg/m ² *	47.2 kg/m ² *
Processing	14-16 bit	14-16 bit	14-16 bit
Colours	281 trillion	281 trillion	281 trillion
Contrast Ratio	20,000 : 1	20,000 : 1	20,000 : 1
Average Power Consumption	72 - 120 w/panel	72 - 120 w/panel	50 - 80 w/panel
Max Power Consumption	240 w/panel	240 w/panel	160 w/panel
Operating Temp/Humidity	-30 - 50°C/10% - 90%	-30 - 50°C/10% - 90%	-30 - 50°C/10% - 90%
Storage Temp/Humidity	-30 - 60°C/10% - 95%	-30 - 60°C/10% - 95%	-30 - 60°C/10% - 95%
Brightness	400 - 600 nits	400 - 600 nits	600 - 1,000 nits
Refresh Rate	3,840 Hz	3,840 Hz	3,840 Hz
IR Interaction	No	No	No
Horizontal Viewing Angle	160°	160°	160°
Vertical Viewing Angle	140°	140°	140°
Expected LED Lifetime (Max)	100,000 Hrs	100,000 Hrs	100,000 Hrs
Servicing	Front	Front	Front
IP Rating	IP 65	IP 65	IP 65
Certification	CE, EMC,LVD,CCC ETL, FCC	CE, EMC,LVD,CCC ETL, FCC	CE, EMC,LVD,CCC ETL, FCC

*Notes: The Specifications are for reference; actual values may vary.
Shenzhen CreateLED Electronics Co.,Ltd reserves the right to modify product design, specifications,
and parameters without further notice.

Application Fields

- Car show
- Exhibition
- Hotel
- Shopping mall
- Bars and Clubs
- Corporate
- Casino
- Concert

AirFLOOR-V1

AirFLOOR-V1 / Specifications

	AirFLOOR-V1 3.9*	AirFLOOR-V1 4.8*
Physical Pitch	3.9 mm	4.8 mm
Pixel Configuration	SMD	SMD
Pixel Density	65,536 pixels/m ² 16,384 pixels/panel	43,264 pixels/m ² 10,816 pixels/panel
LED Module Dimensions (mm)	250 × 250	250 × 250
Panel Dimensions (W × H × D) (mm)	500 × 500 × 73.5	500 × 500 × 73.5
Panel Dimensions (bracket included) (mm)	1,000 × 1,000 × 125	1,000 × 1,000 × 125
No. of Modules Per Panel (W × H)	2×2	2×2
Physical Resolution of Module (W × H)	64×64	52×52
Physical Resolution of Panel (W × H)	128×128	104×104
Weight Per Panel	7.5 kg/panel	7.5 kg/panel
Weight Per m ² (bracket included)	47.2 kg/m ² *	47.2 kg/m ² *
Processing	14-16 bit	14-16 bit
Colours	281 trillion	281 trillion
Contrast Ratio	20,000 : 1	20,000 : 1
Average Power Consumption	50 - 80 w/panel	50 - 80 w/panel
Max Power Consumption	160 w/panel	160 w/panel
Operating Temp/Humidity	-30 - 50°C/10% - 90%	-30 - 50°C/10% - 90%
Storage Temp/Humidity	-30 - 60°C/10% - 95%	-30 - 60°C/10% - 95%
Brightness	600 - 1,000 nits	600 - 1,000 nits
Refresh Rate	3,840 Hz	3,840 Hz
IR Interaction	Yes	Yes
Horizontal Viewing Angle	160°	160°
Vertical Viewing Angle	140°	140°
Expected LED Lifetime (Max)	100,000 Hrs	100,000 Hrs
Servicing	Front	Front
IP Rating	IP 65	IP 65
Certification	CE, EMC,LVD,CCC ETL, FCC	CE, EMC,LVD,CCC ETL, FCC

*Notes: The Specifications are for reference; actual values may vary.
Shenzhen CreateLED Electronics Co.,Ltd reserves the right to modify product design, specifications,
and parameters without further notice.

Application Fields

- Car show
- Exhibition
- Hotel
- Shopping mall
- Bars and Clubs
- Corporate
- Casino
- Concert