

CREATELED®

## AirFLOOR-V1

### Floor LED Display with Immerse Experience

Wide Viewing Angle

IP 65 Waterproof

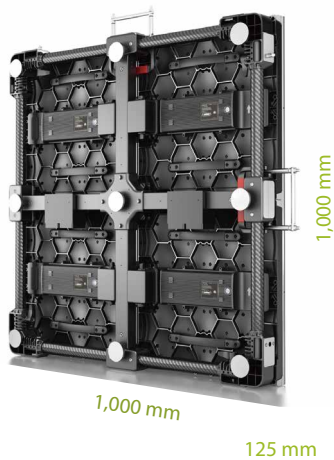
Cooling Function With Great Performance

Height Adjustable For Uneven Floor



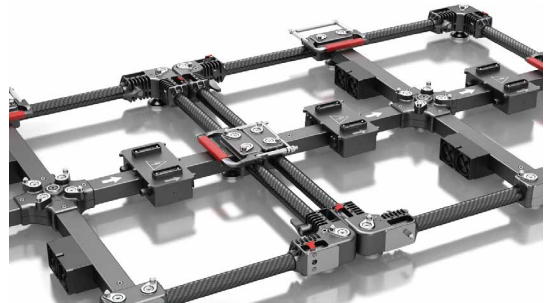
### Super Lightweight

- › Light cabinet weight with 7.5 kg per cabinet, weight 47.2kg per m<sup>2</sup> with floor structure; Advanced slim design with 125mm thickness.
- › Carbon fiber structure and die casting aluminum bring significantly weight reducing impressive strength.



### Quick Setup and Convenient Service

- › Power and signal cables connection were floor structure unit based, bring fast installation and servicing of cabinet.



### Ebony Technology

- › Surface process ebony tech provide great protection of LED from humidity, scratch etc. Glossy finish and matte finish fulfill different of applications such as xR stages, TV broadcasting, exhibition etc.
- › Optional artificial Intelligence interaction.

### Sturdy and Waterproof

- › Outdoor Ingress Protection standard with IP65 front and Rear. Sturdy process that can bear a load of 2400kg/m<sup>2</sup> (with reinforcement).



# AirFLOOR-V1

## AirFLOOR-V1 / Specifications

	AirFLOOR-V1 1.2	AirFLOOR-V1 1.6	AirFLOOR-V1 2.6
Physical Pitch	1.25 mm	1.6 mm	2.6 mm
Pixel Configuration	SMD	SMD	SMD
Pixel Density	640,000 pixels/m <sup>2</sup> 160,000 pixels/panel	360,000 pixels/m <sup>2</sup> 90,000 pixels/panel	147,456 pixels/m <sup>2</sup> 36,864 pixels/panel
LED Module Dimensions (mm)	250 × 250	250 × 250	250 × 250
Panel Dimensions (W × H × D) (mm)	500 × 500 × 73.5	500 × 500 × 73.5	500 × 500 × 73.5
Panel Dimensions (bracket included) (mm)	1,000 × 1,000 × 125	1,000 × 1,000 × 125	1,000 × 1,000 × 125
No. of Modules Per Panel (W × H)	2×2	2×2	2×2
Physical Resolution of Module (W × H)	200 × 200	150 × 150	96 × 96
Physical Resolution of Panel (W × H)	400 × 400	300 × 300	192 × 192
Weight Per Panel	7.5 kg/panel	7.5 kg/panel	7.5 kg/panel
Weight Per m <sup>2</sup> (bracket included)	47.2 kg/m <sup>2</sup>	47.2 kg/m <sup>2</sup>	47.2 kg/m <sup>2</sup>
Load Capacity	2400kg/m <sup>2</sup> (with reinforcement)	2400kg/m <sup>2</sup> (with reinforcement)	2400kg/m <sup>2</sup> (with reinforcement)
Processing	14-16 bit	14-16 bit	14-16 bit
Colours	281 trillion	281 trillion	281 trillion
Contrast Ratio	20,000 : 1	20,000 : 1	20,000 : 1
Average Power Consumption	72 - 120 w/panel	72 - 120 w/panel	50 - 80 w/panel
Max Power Consumption	240 w/panel	240 w/panel	160 w/panel
Operating Temp/Humidity	-30 - 50°C/10% - 90%	-30 - 50°C/10% - 90%	-30 - 50°C/10% - 90%
Storage Temp/Humidity	-30 - 60°C/10% - 95%	-30 - 60°C/10% - 95%	-30 - 60°C/10% - 95%
Brightness	400 - 600 nits	400 - 600 nits	600 - 1,000 nits
Refresh Rate	3,840 Hz-7,680 Hz	3,840 Hz-7,680 Hz	3,840 Hz-7,680 Hz
Way of Drive	1/16 Scan Drive Method	1/16 Scan Drive Method	1/16 Scan Drive Method
IR Interaction	No	No	No
Horizontal Viewing Angle	160°	160°	160°
Vertical Viewing Angle	140°	140°	140°
Expected LED Lifetime (Max)	100,000 Hrs	100,000 Hrs	100,000 Hrs
Servicing	Front	Front	Front
IP Rating	IP 65	IP 65	IP 65
Certification	CE,EMC,LVD,CB, ETL,FCC,IECEE,CCC	CE,EMC,LVD,CB, ETL,FCC,IECEE,CCC	CE,EMC,LVD,CB, ETL,FCC,IECEE,CCC

\*Notes: The Specifications are for reference; actual values may vary.  
Shenzhen CreateLED Electronics Co.,Ltd reserves the right to modify product design, specifications,  
and parameters without further notice.

## Application Fields

- Car show
- Exhibition
- Hotel
- Shopping mall
- Bars and Clubs
- Corporate
- Casino
- Concert

# AirFLOOR-V1

## AirFLOOR-V1 / Specifications

	AirFLOOR-V1 3.9	AirFLOOR-V1 4.8*
Physical Pitch	3.9 mm	4.8 mm
Pixel Configuration	SMD	SMD
Pixel Density	65,536 pixels/m <sup>2</sup> 16,384 pixels/panel	43,264 pixels/m <sup>2</sup> 10,816 pixels/panel
LED Module Dimensions (mm)	250 × 250	250 × 250
Panel Dimensions (W × H × D) (mm)	500 × 500 × 73.5	500 × 500 × 73.5
Panel Dimensions (bracket included) (mm)	1,000 × 1,000 × 125	1,000 × 1,000 × 125
No. of Modules Per Panel (W × H)	2×2	2×2
Physical Resolution of Module (W × H)	64×64	52×52
Physical Resolution of Panel (W × H)	128×128	104×104
Weight Per Panel	7.5 kg/panel	7.5 kg/panel
Weight Per m <sup>2</sup> (bracket included)	47.2 kg/m <sup>2</sup>	47.2 kg/m <sup>2</sup>
Load Capacity	2400kg/m <sup>2</sup> (with reinforcement)	2400kg/m <sup>2</sup> (with reinforcement)
Processing	14-16 bit	14-16 bit
Colours	281 trillion	281 trillion
Contrast Ratio	20,000 : 1	20,000 : 1
Average Power Consumption	50 - 80 w/panel	50 - 80 w/panel
Max Power Consumption	160 w/panel	160 w/panel
Operating Temp/Humidity	-30 - 50°C/10% - 90%	-30 - 50°C/10% - 90%
Storage Temp/Humidity	-30 - 60°C/10% - 95%	-30 - 60°C/10% - 95%
Brightness	600 - 1,000 nits	600 - 1,000 nits
Refresh Rate	3,840 Hz-7,680 Hz	3,840 Hz-7,680 Hz
Way of Drive	1/16 Scan Drive Method	1/16 Scan Drive Method
IR Interaction	Yes	Yes
Horizontal Viewing Angle	160°	160°
Vertical Viewing Angle	140°	140°
Expected LED Lifetime (Max)	100,000 Hrs	100,000 Hrs
Servicing	Front	Front
IP Rating	IP 65	IP 65
Certification	CE,EMC,LVD,CB, ETL,FCC,IECEE,CCC	CE,EMC,LVD,CB, ETL,FCC,IECEE,CCC

\*Notes: The Specifications are for reference; actual values may vary.  
Shenzhen CreateLED Electronics Co.,Ltd reserves the right to modify product design, specifications,  
and parameters without further notice.

## Application Fields

- › Car show
- › Exhibition
- › Hotel
- › Shopping mall
- › Bars and Clubs
- › Corporate
- › Casino
- › Concert



@CreateLED



@CreateLEDInt



CreateLED



createdled

www.createdled.com

sales@createdled.com

\*Notes: The Specifications are for reference; actual values may vary.  
Shenzhen CreateLED Electronics Co.,Ltd reserves the right to modify product design, specifications,  
and parameters without further notice.